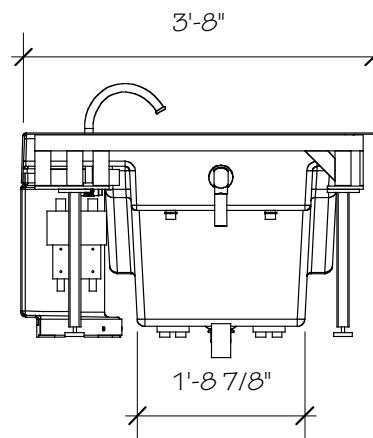
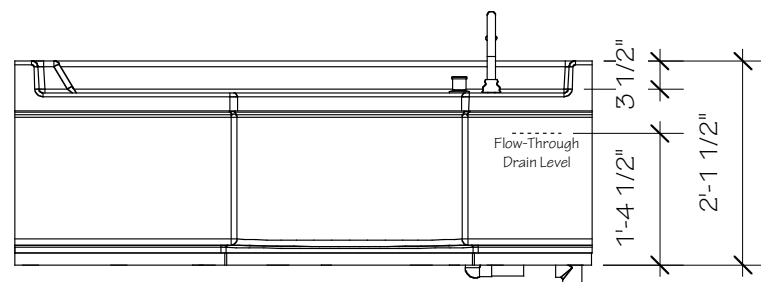
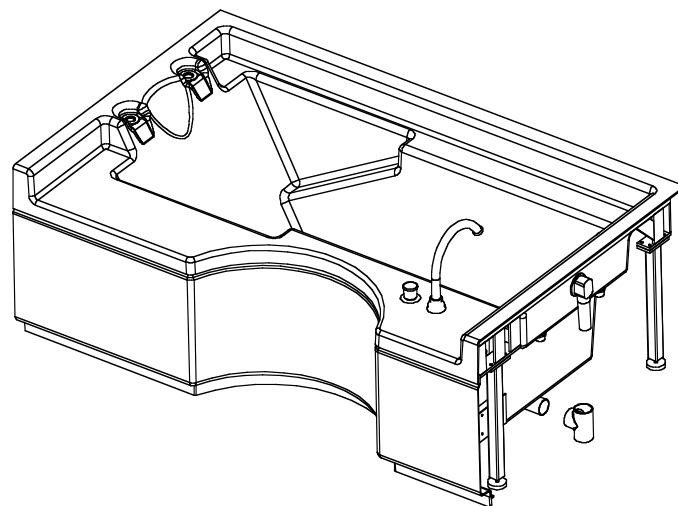
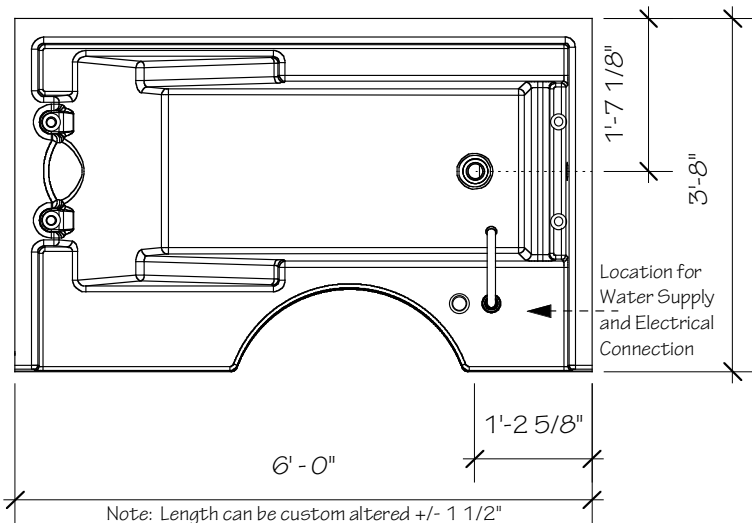




# FT TAG TUB Available with Whisper-Quiet Pipeless Jets™

**TAG SIGNATURE**  
219 E Washington Street  
Lewisburg, WV 24901  
(304) 536-1982  
(304) 647-3523 fax  
www.tagsignature.com



## FEATURES

- Ergonomically designed
- Cut Away design for easy entry
- Temperature-Control Fill Valve and Auto Shut Off feature
- All bath water filtered with radial carbon filters to remove chlorine
- Flow-Through provides a continual flow of fresh filtered water onto the shoulders while bathing; the Flow-Through Drain clears the water as it streams over the linear edge at the foot end of the tub
- High capacity 2-inch tub drain empties tub very quickly for fast turn around between treatments

## Options

- Four patented Whisper-Quiet Pipeless™ Jets by SaniJet
- Chromatherapy Light

## Colors

White, Almond, Biscuit, Black (Custom colors available upon request)

## CONSTRUCTION CHARACTERISTICS

- Approximate shipping weight 625 lbs
- ARISTECH single cast acrylic with fiberglass reinforcement
- Aluminum structural frame with adjustable legs for leveling

## WATER USAGE AND SUPPLY REQUIREMENTS

- Tub holds 92 gallons of water to Flow-Through Drain (without bather)
- Typical water quality to fill bath is 70 gallons (with bather)
- Flow-Through uses approximately 5 GPM of water for typically 8 to 10 minutes
- It is suggested to fill the tub with 100 degree water (70 gallons) and to operate the Flow-Through with 104 degree water (40 gallons)
- 1/2" hot and cold water lines recommended

## DRAIN

2-inch Main Tub Drain empties the tub at a rate of approximately 35 GPM

## ELECTRICAL REQUIREMENT

A 115 volt/ 15 amp circuit dedicated to the Tub